

ID No. _____

Name _____

A

**BIRLA INSTITUTE OF TECHNOLOGY AND SCIENCE, PILANI
DUBAI CAMPUS**

Dubai International Academic City, Dubai

I Year – II Semester 2011 – 2012

COMPREHENSIVE EXAMINATION

Course No. : BITS F110
Course Title : Engineering Graphics
Nature of Exam : Closed Book
Weightage : 40 % (80 Marks)
Duration : 90 minutes
Date : 13 June 2012

NOTE: (a) Answer all questions
(b) Save your drawings every 5 minutes.
(c) Use First Angle Projection

Q1. The front view of a line TS measures 132 mm long and makes 40° to XY line. The end T is in HP and 66 mm in front of VP. The line is inclined 40° to VP. Draw its projections.
(30 Marks)

Q2. A cone of base diameter 80 mm and height 100 mm is resting on the ground on its base. The cone is cut by a cutting plane inclined at 30° to HP and perpendicular to VP. The cutting plane cuts the axis of the cone by 40 mm from the base. Draw the following

- Projection of the cone
- Sectional view
- True shape of the section
- Lateral surface development of the truncated cone.

(50 Marks)

ID No. _____

Name _____

B

**BIRLA INSTITUTE OF TECHNOLOGY AND SCIENCE, PILANI
DUBAI CAMPUS**

Dubai International Academic City, Dubai

I Year – II Semester 2011 – 2012

COMPREHENSIVE EXAMINATION

Course No. : BITS F110
Course Title : Engineering Graphics
Nature of Exam : Closed Book
Weightage : 40 % (80 Marks)
Duration : 90 minutes
Date : 13 June 2012

NOTE: (a) Answer all questions
(b) Save your drawings every 5 minutes.
(c) Use First Angle Projection

Q1. A line CD inclined 45° to VP, has its end C 36 mm in front of VP and 48 mm above HP. The Distance between the projectors is 96 mm. The end D is 120 mm above HP and in front of VP. Draw the projections.
(30 Marks)

Q2. A square pyramid of base side 60 mm and height 100 mm is resting on ground on its base, with two of its base sides perpendicular to VP. The pyramid is cut by a cutting plane inclined at 30° to HP and perpendicular to VP. The cutting plane cuts the axis of the pyramid by 40 mm from the base. Draw the following

- Projection of the pyramid
- Sectional view
- True shape of the section
- Lateral surface development of the truncated pyramid

(50 Marks)

**BIRLA INSTITUTE OF TECHNOLOGY AND SCIENCE, PILANI
DUBAI CAMPUS**

Dubai International Academic City, Dubai

I Year – II Semester 2011 – 2012

COMPREHENSIVE EXAMINATION

Course No. : BITS F110
Course Title : Engineering Graphics
Nature of Exam : Closed Book
Weightage : 40 % (80 Marks)
Duration : 90 minutes
Date : 13 June 2012

NOTE: (a) Answer all questions
(b) Save your drawings every 5 minutes.
(c) Use First Angle Projection

Q1. The end A of a line AB is 40 mm in front of VP and 50 mm above HP. The line is inclined at 40° to HP and front view is 50° to XY. The top view is 130.7 mm long. Draw its projections.

(30 Marks)

Q2. A Pentagonal pyramid of base side 60 mm and height 100 mm is resting on ground on its base with one of its base sides parallel to VP. The pyramid cut by a cutting plane inclined at 25° to HP and perpendicular to VP. The cutting plane cuts the axis of the pyramid by 40 mm from the base. Draw the following

- Projection of the pyramid
- Sectional view
- True shape of the section
- Lateral surface development of the truncated pyramid

(50 Marks)

Birla Institute of Technology and Science, Pilani
Dubai Campus

A1

Dubai International Academic City, Dubai.
I Year – II Semester 2011– 2012

TEST-I

Course No. : BITS F110
Course Title : Engineering Graphics
Nature of Exam : Closed Book
Weightage : 20 %
Duration : 60 minutes
Date : 01-04-2012

Instructions

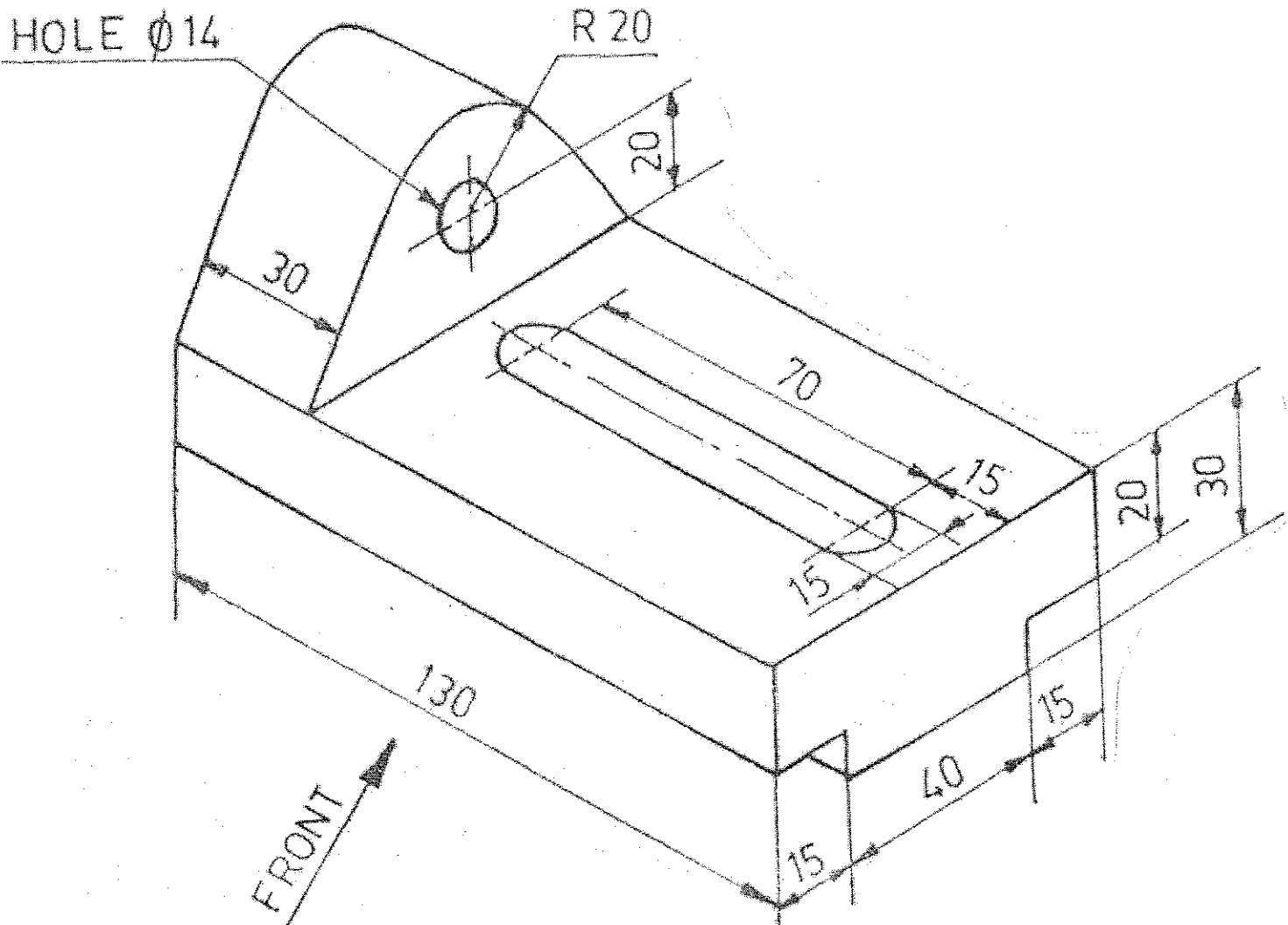
1. Answer all questions
2. Create a title block
3. Save the drawing as separate file for each question.
4. Save your drawings every 5 minutes
5. Use first angle projection
6. Draw to 1:1 scale

Questions

1. Draw the following views for the given object & dimension them

25 Marks

- a) Front view
- b) Top view



Birla Institute of Technology and Science, Pilani
Dubai Campus

A1

Dubai International Academic City, Dubai.
I Year – II Semester 2011– 2012

TEST-I

Course No. : BITS F110
Course Title : Engineering Graphics
Nature of Exam : Closed Book
Weightage : 20 %
Duration : 60 minutes
Date : 01-04-2012

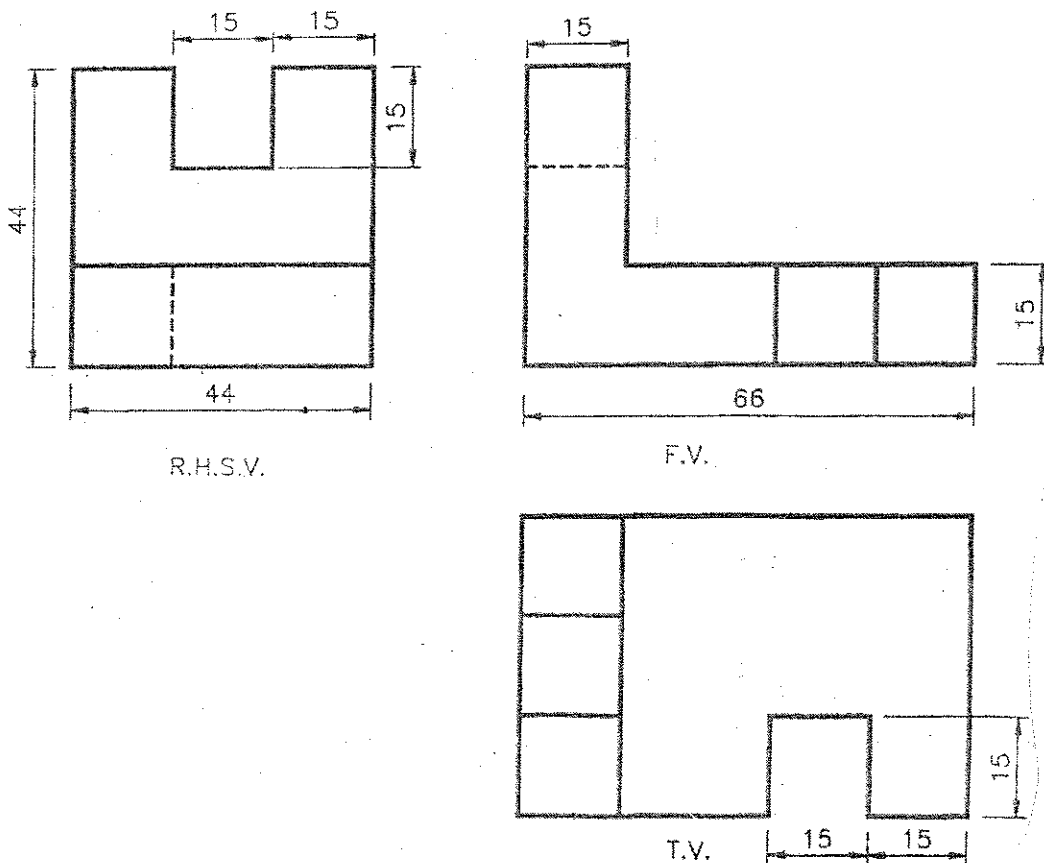
Instructions

1. Answer all questions
2. Create a title block
3. Save the drawing as separate file for each question.
4. Save your drawings every 5 minutes
5. Use first angle projection
6. Draw to 1:1 scale

Questions

2. Draw the Isometric view from the given orthographic view.

15 Marks



Birla Institute of Technology and Science, Pilani
Dubai Campus

A2

Dubai International Academic City, Dubai.
I Year – II Semester 2011– 2012

TEST-I

Course No. : BITS F110
Course Title : Engineering Graphics
Nature of Exam : Closed Book
Weightage : 20 %
Duration : 60 minutes
Date : 01-04-2012

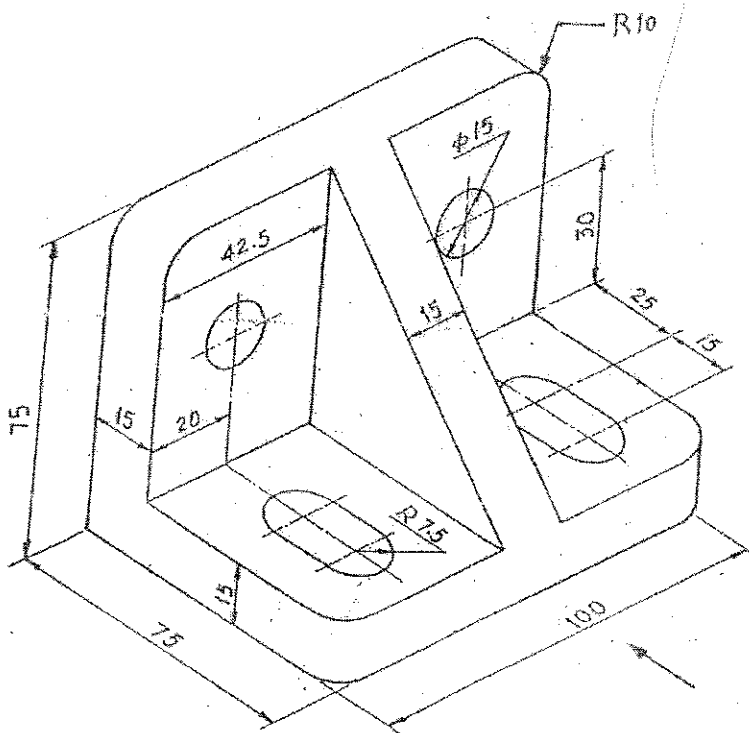
Instructions

1. Answer all questions
2. Create a title block
3. Save the drawing as separate file for each question.
4. Save your drawings every 5 minutes
5. Use first angle projection
6. Draw to 1:1 scale

Questions

1. Draw the following views for the given object & dimension them
 - a) Front view
 - b) Top view

25 Marks



Birla Institute of Technology and Science, Pilani
Dubai Campus

A2

Dubai International Academic City, Dubai.
I Year – II Semester 2011– 2012

TEST- I

Course No. : BITS F110
Course Title : Engineering Graphics
Nature of Exam : Closed Book
Weightage : 20 %
Duration : 60 minutes
Date : 01-04-2012

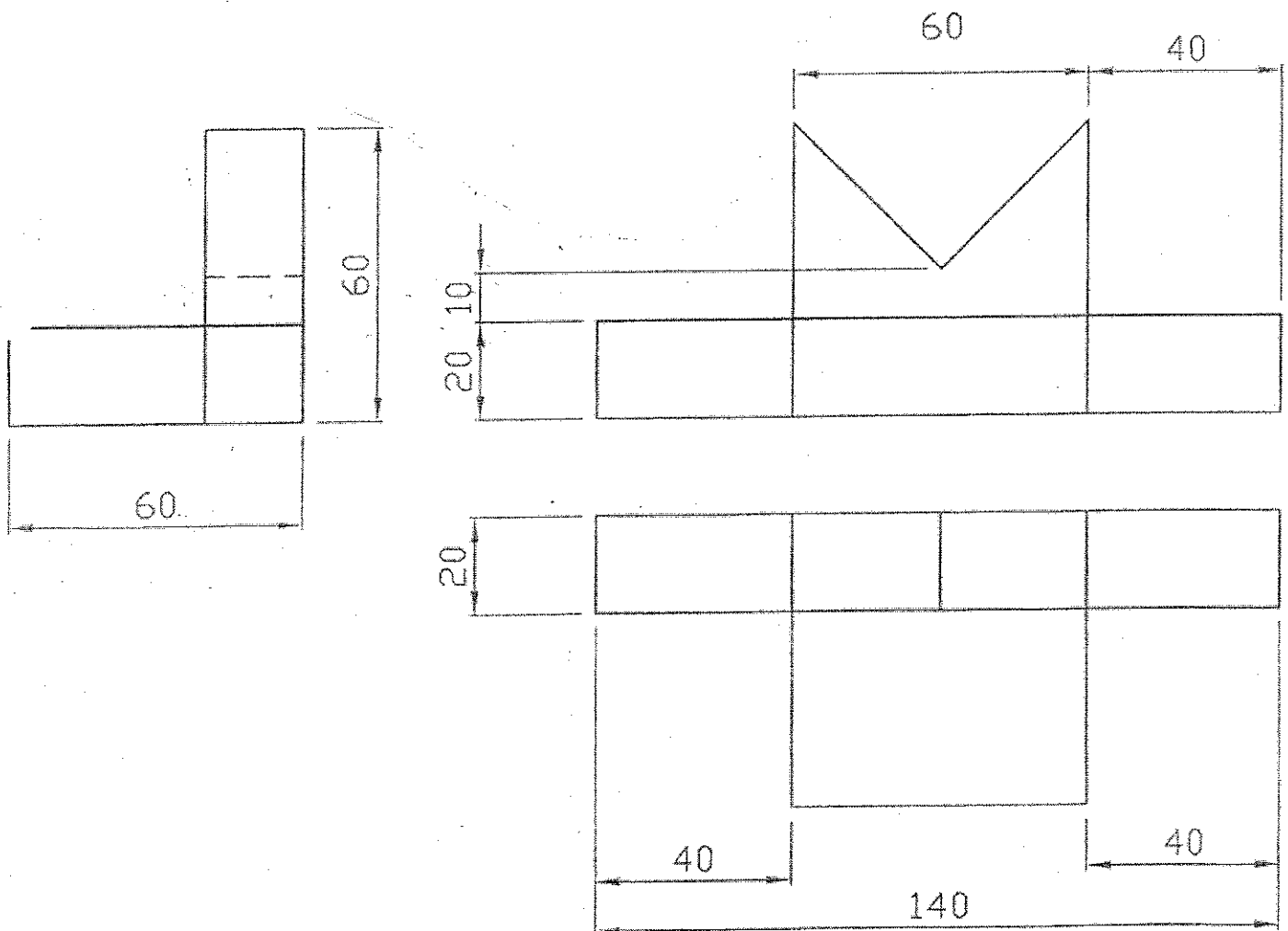
Instructions

1. Answer all questions
2. Create a title block
3. Save the drawing as separate file for each question.
4. Save your drawings every 5 minutes
5. Use first angle projection
6. Draw to 1:1 scale

Questions

2. Draw the Isometric view from the given orthographic view.

15 Marks



TEST-I

Course No. : BITS F110
Course Title : Engineering Graphics
Nature of Exam : Closed Book
Weightage : 20 %
Duration : 60 minutes
Date : 01-04-2012

Instructions

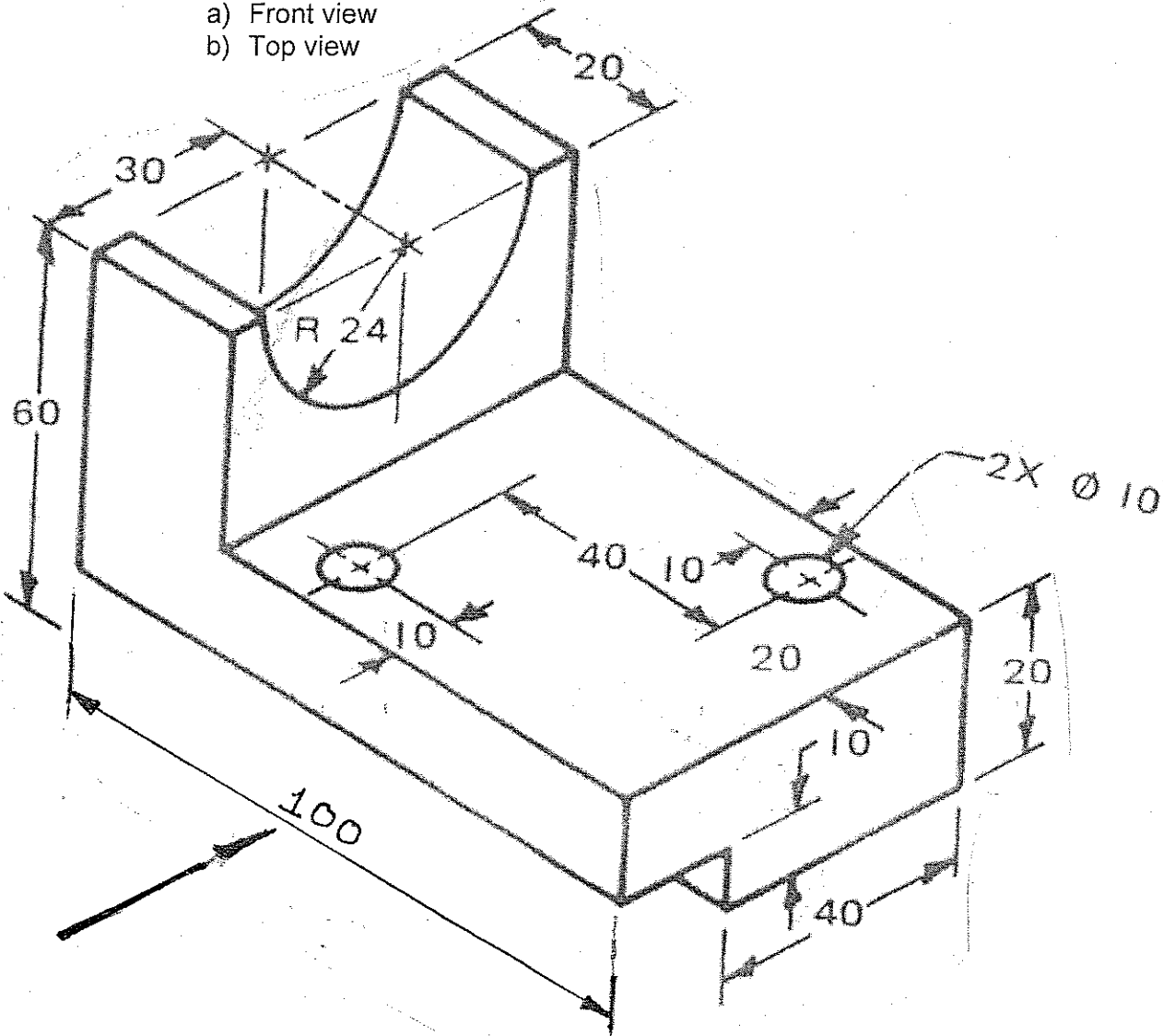
1. Answer all questions
2. Create a title block
3. Save the drawing as separate file for each question.
4. Save your drawings every 5 minutes
5. Use first angle projection
6. Draw to 1:1 scale

Questions

1. Draw the following views for the given object & dimension them

25 Marks

- a) Front view
- b) Top view



Birla Institute of Technology and Science, Pilani
Dubai Campus
Dubai International Academic City, Dubai.
I Year – II Semester 2011– 2012

A3

TEST-I

Course No. : BITS F110
Course Title : Engineering Graphics
Nature of Exam : Closed Book
Weightage : 20 %
Duration : 60 minutes
Date : 01-04-2012

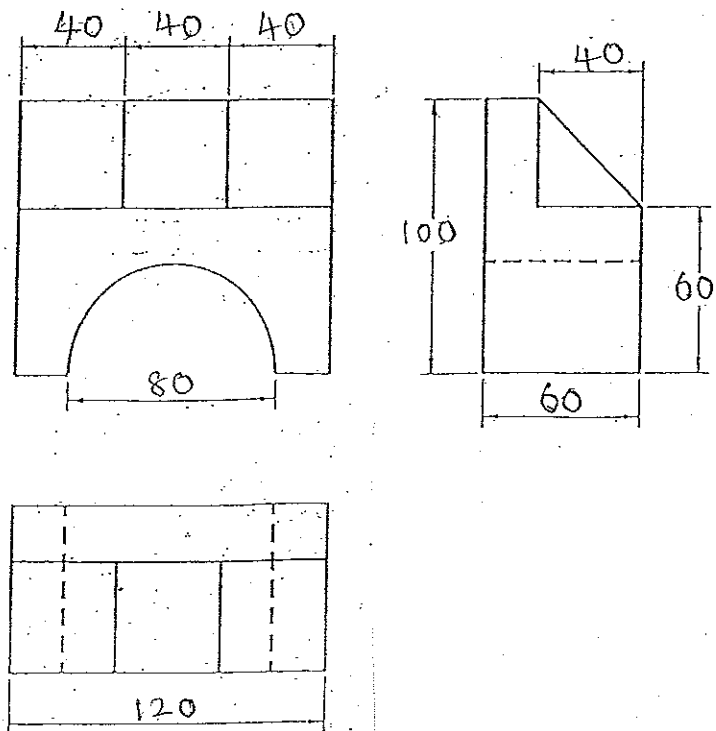
Instructions

1. Answer all questions
 2. Create a title block
 3. Save the drawing as separate file for each question.
 4. Save your drawings every 5 minutes
 5. Use first angle projection
 6. Draw to 1:1 scale
-

Questions

2. Draw the Isometric view from the given orthographic view.

15 Marks



Birla Institute of Technology and Science, Pilani
Dubai Campus

Dubai International Academic City, Dubai.
I Year – II Semester 2011– 2012

TEST-I

Course No. : BITS F110
Course Title : Engineering Graphics
Nature of Exam : Closed Book
Weightage : 20 %
Duration : 60 minutes
Date : 01-04-2012

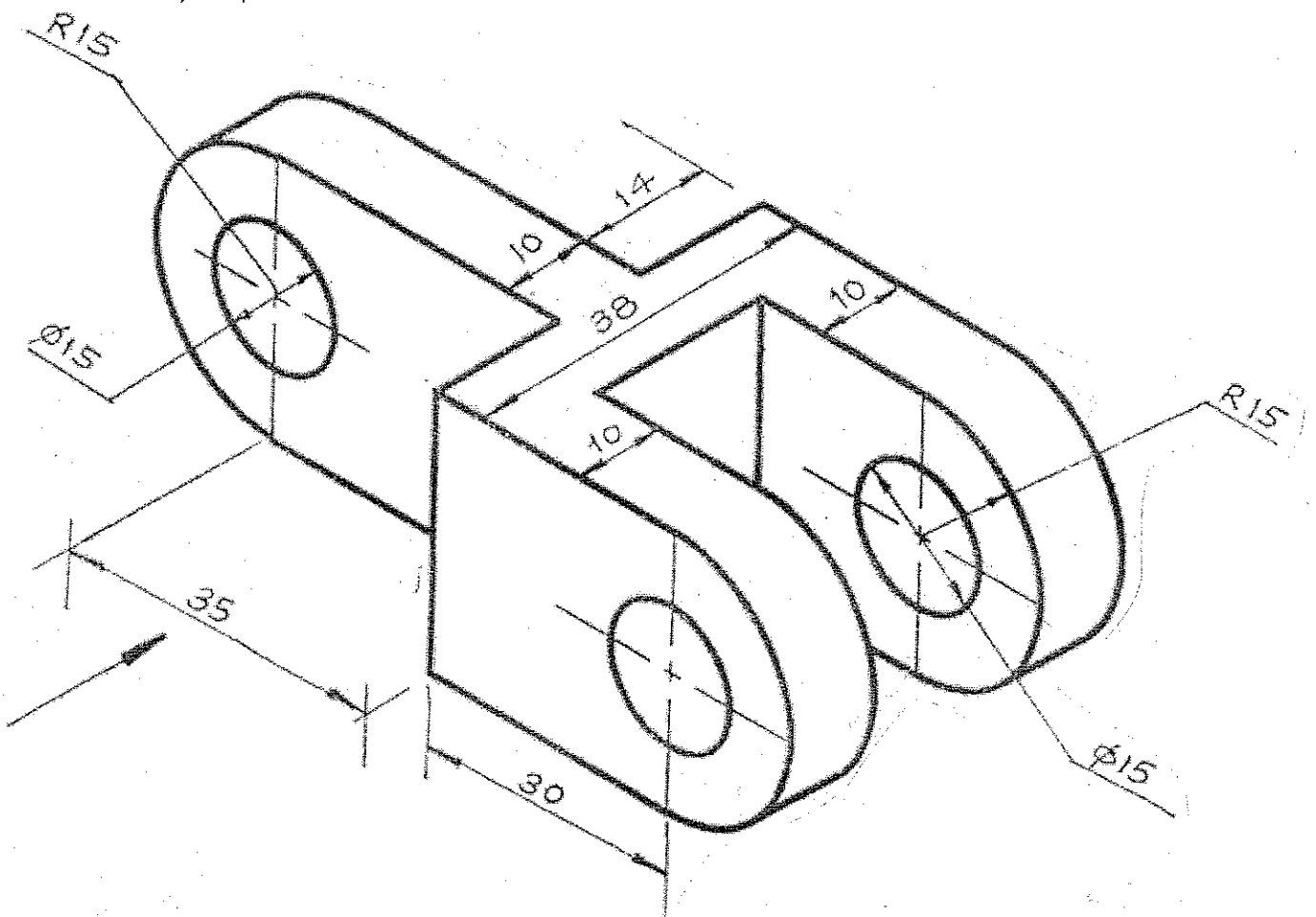
Instructions

1. Answer all questions
2. Create a title block
3. Save the drawing as separate file for each question.
4. Save your drawings every 5 minutes
5. Use first angle projection
6. Draw to 1:1 scale

Questions

1. Draw the following views for the given object & dimension them
a) Front view
b) Top view

25 Marks



Birla Institute of Technology and Science, Pilani
Dubai Campus

B1

Dubai International Academic City, Dubai.
I Year – II Semester 2011– 2012

TEST-I

Course No. : BITS F110
Course Title : Engineering Graphics
Nature of Exam : Closed Book
Weightage : 20 %
Duration : 60 minutes
Date : 01-04-2012

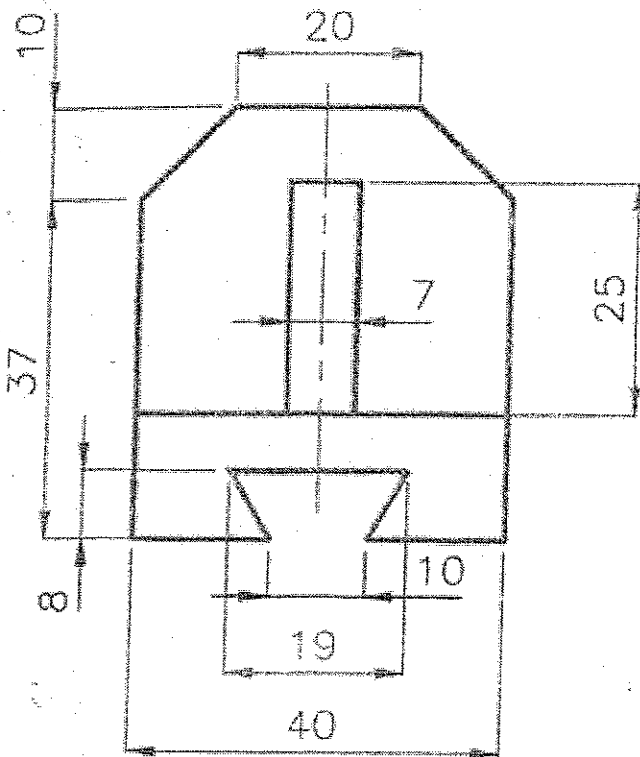
Instructions

1. Answer all questions
2. Create a title block
3. Save the drawing as separate file for each question.
4. Save your drawings every 5 minutes
5. Use first angle projection
6. Draw to 1:1 scale

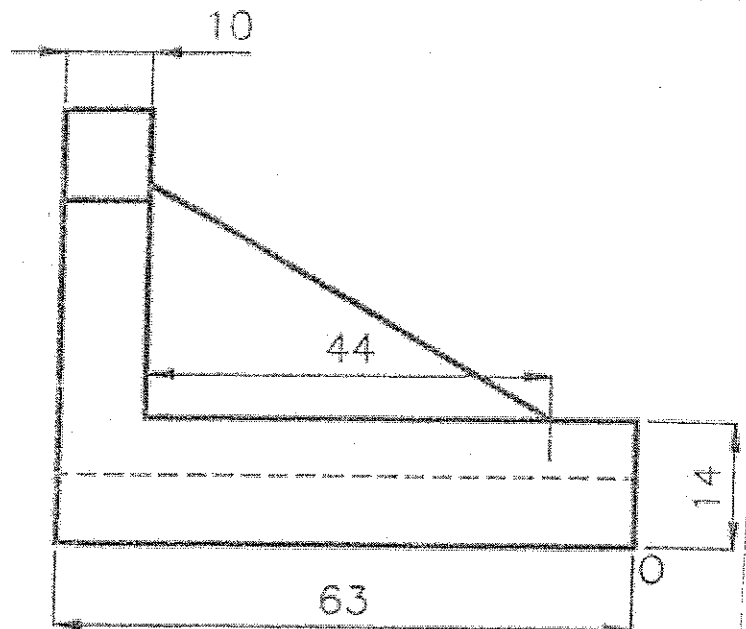
Questions

2. Draw the Isometric view from the given orthographic view.

15 Marks



R.H.S.V.



F.V.

Birla Institute of Technology and Science, Pilani
Dubai Campus
 Dubai International Academic City, Dubai.
 I Year – II Semester 2011– 2012

TEST-I

Course No.	:	BITS F110
Course Title	:	Engineering Graphics
Nature of Exam	:	Closed Book
Weightage	:	20 %
Duration	:	60 minutes
Date	:	01-04-2012

Instructions

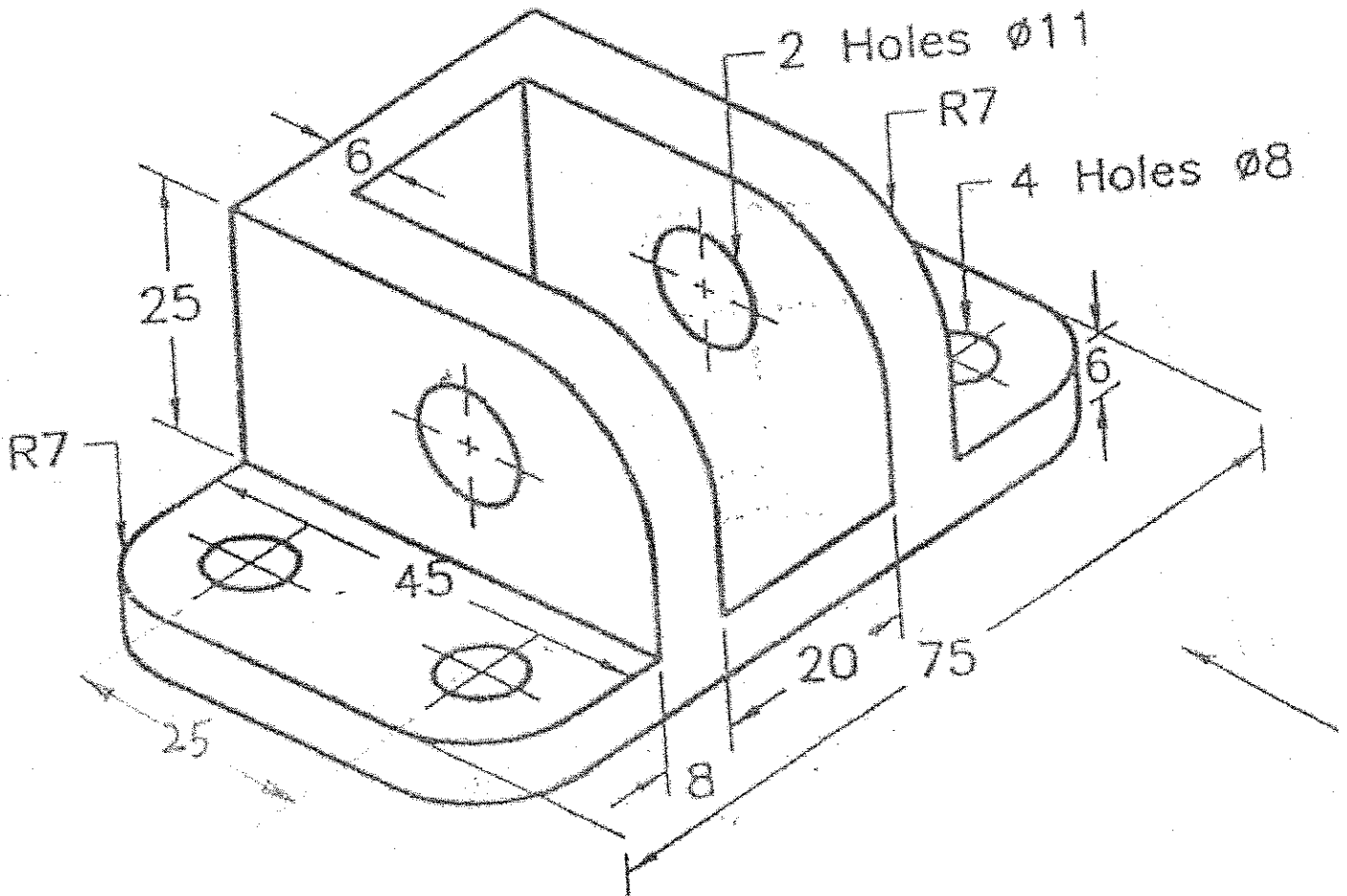
1. Answer all questions
2. Create a title block
3. Save the drawing as separate file for each question.
4. Save your drawings every 5 minutes
5. Use first angle projection
6. Draw to 1:1 scale

1. Draw the following views for the given object & dimension them

25 Marks

a) Front view

b) Top view



TEST-I

Course No. : BITS F110
Course Title : Engineering Graphics
Nature of Exam : Closed Book
Weightage : 20 %
Duration : 60 minutes
Date : 01-04-2012

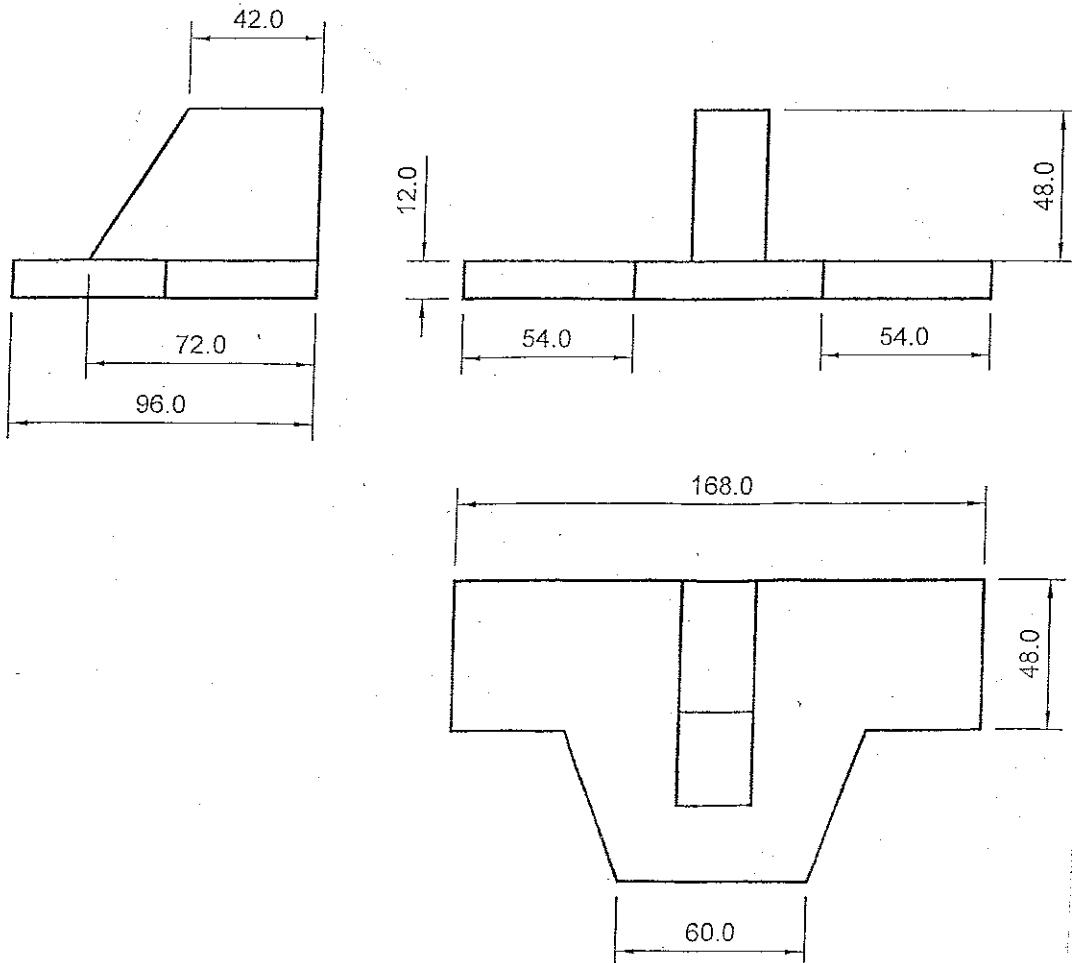
Instructions

1. Answer all questions
2. Create a title block
3. Save the drawing as separate file for each question.
4. Save your drawings every 5 minutes
5. Use first angle projection
6. Draw to 1:1 scale

Questions

2. Draw the Isometric view from the given orthographic view.

15 Marks



Birla Institute of Technology and Science, Pilani
Dubai Campus

B3

Dubai International Academic City, Dubai.
I Year – II Semester 2011– 2012

TEST-I

Course No. : BITS F110
Course Title : Engineering Graphics
Nature of Exam : Closed Book
Weightage : 20 %
Duration : 60 minutes
Date : 01-04-2012

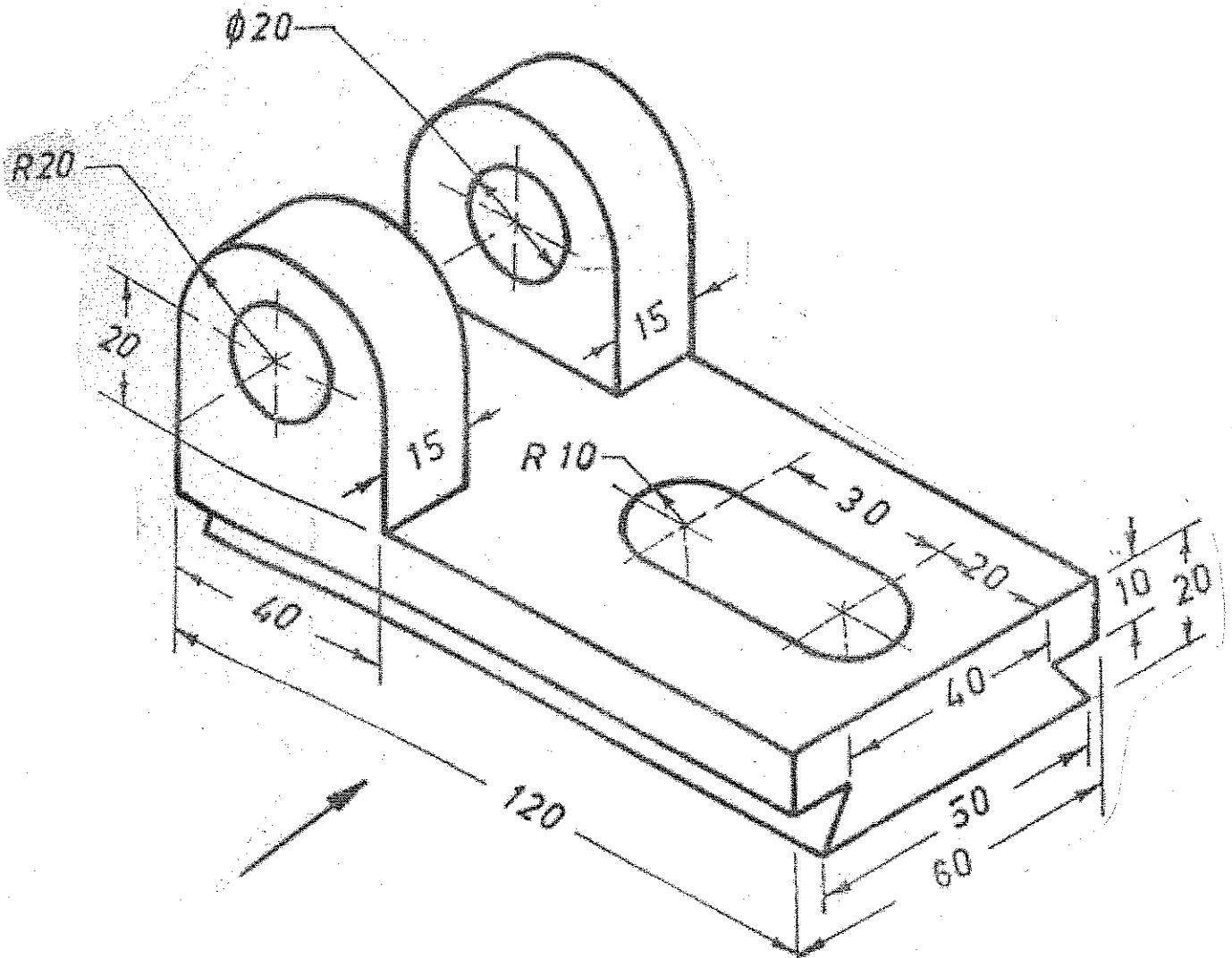
Instructions

1. Answer all questions
2. Create a title block
3. Save the drawing as separate file for each question.
4. Save your drawings every 5 minutes
5. Use first angle projection
6. Draw to 1:1 scale

Questions

1. Draw the following views for the given object & dimension them
a) Front view
b) Top view

25 Marks



Birla Institute of Technology and Science, Pilani
Dubai Campus

B3

Dubai International Academic City, Dubai.
I Year – II Semester 2011– 2012

TEST-I

Course No. : BITS F110
Course Title : Engineering Graphics
Nature of Exam : Closed Book
Weightage : 20 %
Duration : 60 minutes
Date : 01-04-2012

Instructions

1. Answer all questions
2. Create a title block
3. Save the drawing as separate file for each question.
4. Save your drawings every 5 minutes
5. Use first angle projection
6. Draw to 1:1 scale

Questions

2. Draw the Isometric view from the given orthographic view.

15 Marks

