

COMPREHENSIVE EXAMINATION

Course No. : TA UC111.
Course Title : Engineering Graphics.
Nature of Exam : Closed Book.
Weightage : 40 %
Duration : 90 minutes.
Date : 20.05.2007.

NOTE: Save your drawings every 5 minutes.
Use First Angle Projection

1. A Square pyramid of base 55 mm and height 75mm is resting on the ground with one of its base edge 30° to VP. The pyramid is cut by a cutting plane inclined 45° to HP and perpendicular to VP. The Cutting plane cuts the mid point of the axis of the pyramid. Draw the following

Projection of the Pyramid

Section of the Pyramid

True shape of the section of the Pyramid

Development of the lateral surface of the truncated Pyramid.

(20Marks)

2. The front view of a line CD measures 60mm long and makes 30° to XY. The point C is in HP and 50mm in front of VP. The line is inclined 40° to VP. Draw its projection and find the true length and inclination to HP.

(12Marks)

3. A pentagon of side 50mm rest on the ground on one of its corners with the sides containing the corners being equally inclined to the ground. The side opposite to the corner on which it rests is inclined at 45° to the VP and is parallel to the HP. The surface of the pentagon makes 35° with the ground. Draw its projections.

(8 Marks)

All the BEST

BITS – Pilani , Dubai Campus
 Knowledge Village
 Dubai

TAUC111 – Engineering Graphics
 Test – 1

Date	2 nd April 2007	Duration	60 minutes
Weight	20%	Type of component	Closed book

Instructions

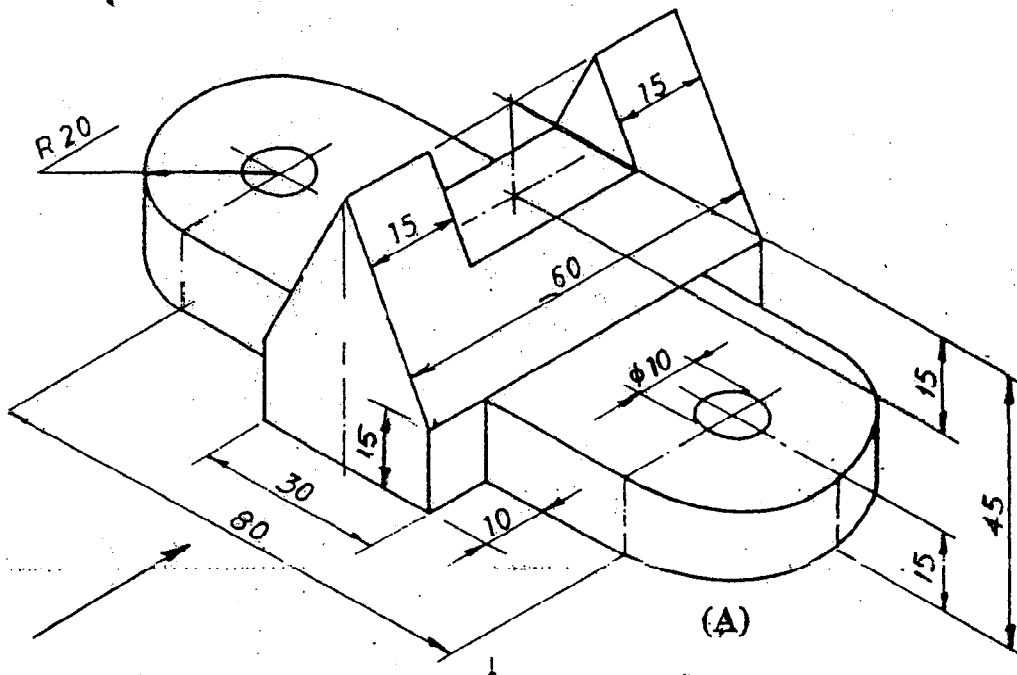
1. Answer all the questions.
2. Create title block.
3. Save the drawing as a separate file for each question.
4. Save the drawing every five minutes.

Questions

1. Draw the following orthographic views for the given object. (Follow 1st Angle projection.)

(12 Marks)

- A) Front View
- B) Top View



BITS – Pilani , Dubai Campus
Knowledge Village
Dubai

TAUC111 – Engineering Graphics
Test – 1

Date	2 nd April 2007	Duration	60 minutes
Weight	20%	Type of component	Closed book

Instructions

1. Answer all the questions.
2. Create title block.
3. Save the drawing as a separate file for each question.
4. Save the drawing every five minutes.

Questions

2. Draw the isometric view from the given orthographic view (1st Angle projection).

(8 Marks)

